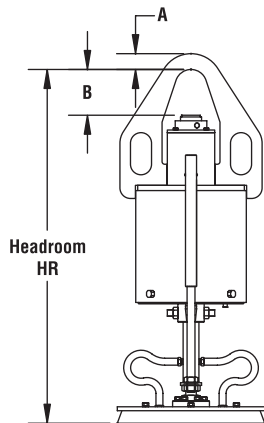


Mechanical Vacuum Lifters

Mechanical Vacuum Lifter

The revolutionary design of our vacuum generator requires no electrical or air line connections, just hang it on your hook and go! This is an economical solution for a wide range of applications where bringing power to the lifter is not practical or feasible—even the warning system requires no power. This virtually maintenance free design conforms to ASME standards.



PRODUCT FEATURES:

- No outside power source is required.
- Color-coded vacuum indicator rods alert the operator of vacuum level.
GREEN = Safe to lift with additional vacuum available.
YELLOW = Minimum vacuum remaining, begin to set load down.
RED = Hazardous condition.
- Auto cycling valve provides a hands-free attach and release function.
- Large lifting bail accommodates a wide range of hook sizes.
- The Caldwell Mechanical Vacuum Lifter has very few moving parts that will need attention from the maintenance department.
- Standard sizes shown, please contact factory for additional capacities and configurations.



Single Pad Models

Rated Capacity (lbs.)	Number of Pads	Pad Diameter (in.)	Dimensions (in.)			Weight (lbs.)	Model Number
			A	C	HR		
300	1	9-5/8	0.75	3.34	35	75	AM3S8
800	1	14-1/4	1.5	4.3	37-3/4	115	AM8V12
2,000	1	23	1.5	4.3	39.39	290	AM20V20



Twin Pad Inline Models

Rated Capacity (lbs.)	Number of Pads	Pad Diameter (in.)	Main Beam Length (ft.)	Dimensions (in.)			Weight (lbs.)	Model Number
				A	C	HR		
300	2	7-1/4	4	0.75	3.34	44-1/4	100	BM3S6-4
			6				105	BM3S6-6
800	2	10-5/8	4	1.5	4.3	52-1/4	215	BM8V8-4
			5				226	BM8V8-5
			6				237	BM8V8-5
			6				424	BM16V14-4
1,600	2	16	4	1.5	4.3	63	466	BM16V14-6
			6				508	BM16V14-8
			8					



The Caldwell Group

Distributed by: Frank H. Gill Company
708-895-1334 Fax: 708-895-8871

UNIVAC®
Vacuum Lifters Section
Master Catalog MC-607

Mechanical Vacuum Lifters



The Caldwell Group

Distributed by: Frank H. Gill Company
708-895-1334 Fax: 708-895-8871

UNIVAC®
Vacuum Lifters Section
Master Catalog MC-607

Four Pad Inline Models

Rated Capacity (lbs.)	Number of Pads	Pad Diameter (in.)	Main Beam Length (ft.)	Dimensions (in.)			Weight (lbs.)	Model Number
				A	C	HR		
600	4	7-1/4	5'	1.5	4.3	52-1/4	230	CM6S6-5
			6'				241	CM6S6-6
			8'				262	CM6S6-8
800	4	9-5/8	5'	1.5	4.3	52-1/4	235	CM8S8-5
			6'				246	CM8S8-6
			8'				267	CM8S8-8
1,500	4	12-1/4	6'	1.5	4.3	63	482	CM15VIO-6
			8'				524	CM15VIO-8
			10'				566	CM15VIO-10



Twin Crossarm Models

Rated Capacity (lbs.)	Number of Pads	Pad Diameter (in.)	Main Beam Length (ft.)	Dimensions (in.)			Weight (lbs.)	Model Number*
				A	C	HR		
300	4	5	4'	0.75	3.34	44-1/4	110	DM3S4-4-D_
			6'				115	DM3S4-6-D_
600	4	7-1/4	4'	1.5	4.3	54-1/2	240	DM6S6-4-D_
			6'				256	DM6S6-6-D_
			8'				272	DM6S6-8-D_
800	4	9-5/8	4'	1.5	4.3	54-1/2	245	DM8S8-4-D_
			6'				261	DM8S8-6-D_
			8'				277	DM8S8-8-D_
1,500	4	12-1/2	4'	1.5	4.3	66	532	DM15VIO-4-D_
			6'				558	DM15VIO-6-D_
			8'				600	DM15VIO-8-D_
			10'				642	DM15VIO-10-D_

Triple Crossarm Models

Rated Capacity (lbs.)	Number of Pads	Pad Diameter (in.)	Main Beam Length (ft.)	Dimensions (in.)			Weight (lbs.)	Model Number*
				A	C	HR		
1,500	6	10-5/8	4'	1.5	4.3	66	550	EM15V8-4-T_
			6'				568	EM15V8-6-T_
			8'				610	EM15V8-8-T_
			10'				652	EM15V8-10-T_

* Specify crossarm length where _ is in Model No.
i.e. DM6S6-6-D3 would have a 6' main beam and 3' cross arms.
Other sizes available. please consult factory.

Application Evaluation



The Caldwell Group

Distributed by: Frank H. Gill Company
708-895-1334 Fax: 708-895-8871

UNIVAC®
Vacuum Lifters Section
Master Catalog MC-607

Univac® Application Evaluation

Material To Be Handled:

- Steel Aluminum Glass Stone Slabs
 Plastic/Fiberglass Particle Board
 Other: _____ (Provide detailed sketch)

Material Temperature Is:

- Under 200° F
 200° to 600° F
 Over 600° F (Specify temperature)

Material Dimensions:

Minimum: Length _____ Width _____ Thickness _____ (required)
Maximum: Length _____ Width _____ Thickness _____
Maximum Capacity Required _____

Material Orientation During Lift:

- Horizontal Only Vertical Only
 Horizontal to Vertical

Headroom Available: _____

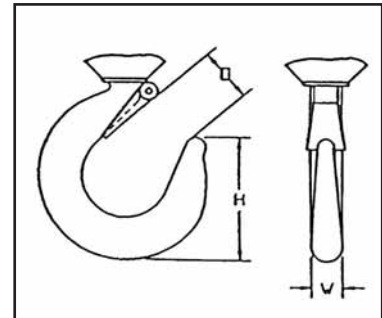
Power Available:

- Electric Specify: 115v/1ph/60hz
 230-460v/3ph/60hz
 230v dc
 Compressed Air
 No External Power - Battery operated required

Hook Size or Hook Opening:

Required for crane hook

H _____
O _____
W _____



Options Required:

- Side Handle
 Parking Stand
 Audible Low Vacuum Warning
 Custom Pendant Control (Standard is 2-button)
 Wireless Pendant Control

For a price quote on your specific application, please complete the above application guide and fax this along with a photo, sketch, or drawing of the product being rotated, to 708-895-8871.