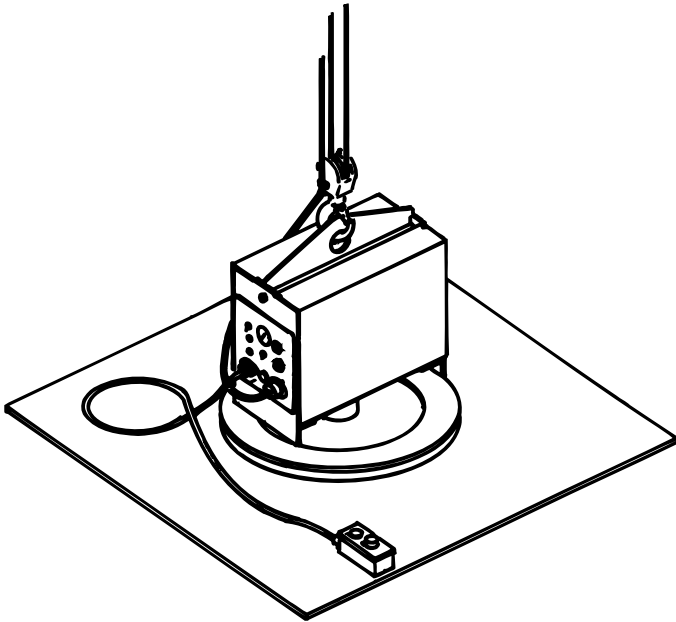


Narrow Applications

Model A - Single Pad Vacuum Lifter

For lightweight material with small square shaped surface. Neither the width or the length should exceed 5 times the pad diameter (see specifications below for pad diameter).



Quick guideline for max. sheet size of steel or aluminum at different thicknesses.

Minimum Thickness (in.)	Maximum Width (in.)	Maximum Length (in.)
.0250	36	36
.0478	48	48
.1150	72	72
.1950	96	96

Max. width + length equal to twice overhang distance.

NOTE: Options pg. C.8.

SPECIFICATIONS

Rated Capacity (lbs.)	Wt. (lbs.)	Model Number	Power-Pac	Flared Diameter (in.)
Shop Air - Venturi				
170	20	AA1S6	V-40	7-1/4
310	22	AA3S8	V-40	9-5/8
400	28	AA4V8	V-40	10-5/8
600	30	AA6V10	V-40	12-1/4
800	33	AA8V12	V-40	14-1/4
1000	51	AA10V14	V-40	16
1500	53	AA15V16	V-40	19
2000	55	AA20V20	V-40	23
3000	71	AA30V24	V-40	27-5/8
Electric				
170	78	AE1S6	UNIVAC-250	7-1/4
310	80	AE3S8	UNIVAC-250	9-5/8
400	84	AE4V8	UNIVAC-250	10-5/8
600	87	AE6V10	UNIVAC-250	12-1/4
800	95	AE8V12	UNIVAC-250	14-1/4
1000	108	AE10V14	UNIVAC-250	16
1500	202	AE15V16	UNIVAC-250	19
2000	213	AE20V20	UNIVAC-250	23
3000	384	AE30V24	UNIVAC-330	27-5/8

Other sizes available, consult factory.



The Caldwell Group

Distributed by: Frank H. Gill Company
708-895-1334 Fax: 708-895-8871

UNIVAC®
Vacuum Lifters Section
Master Catalog MC-607
Rev. 03/08

Narrow Applications

Model A - Single Pad Vacuum Lifter



Univac® 330 unit - side view showing vacuum indicator lights and power / control connections.



Single pad unit AE15V16 with a 19" diameter V16 pad.

Single pad unit shown with a 10" diameter sponge pad for lifting semi-porous material.



Single pad units with large or small capacities are used when surface area is at a minimum.



The Caldwell Group

Distributed by: Frank H. Gill Company
708-895-1334 Fax: 708-895-8871

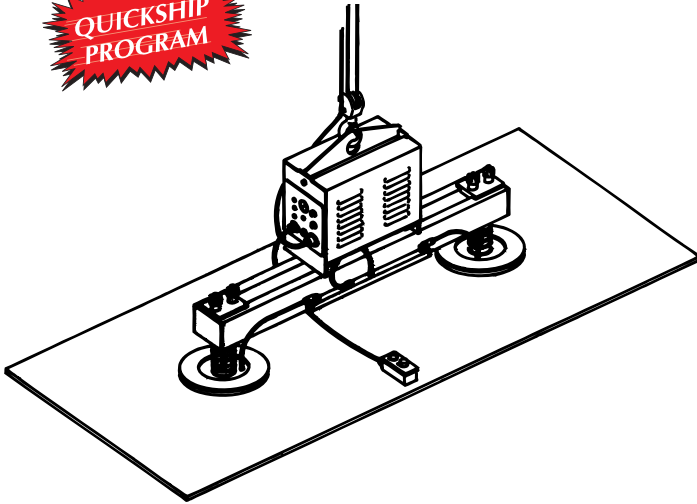
UNIVAC®
Vacuum Lifters Section
Master Catalog MC-607

Narrow Applications

Model B - Twin Pad Load Beam Vacuum Lifter

For lifting smaller rectangular shaped material. Width should not exceed 5 times the pad diameter (see specifications below for pad diameter).

QUICKSHIP PROGRAM



Quick guideline for max. sheet size of steel or aluminum at different thicknesses.

Minimum Thickness (in.)	Maximum Width (in.)	Maximum Length (in.)
.0250	36	72
.0478	48	96
.1150	72	144
.1950	96	192

Max. width equal to twice overhang distance.

Max. length equal to four times overhang distance.

NOTE: All venturi units include a side handle. For other options, please see page C.8.

SPECIFICATIONS

Add FEET to blank Model Number box to complete code.
Example: 4' load beam BA6S8

Rated Capacity (lbs.)	Base Wt. @ 4' (lbs.)	Model Number	Power-Pac	Flared Diameter (in.)	Load Beam Length (ft.)			
					4	5	6	8
Shop Air - Venturi								
160	140	BA1S4 <input type="text"/>	V-40	5	4	5	6	8
340	170	BA3S6 <input type="text"/>	V-40	7-1/4	4	5	6	8
620	175	BA6S8 <input type="text"/>	V-40	9-5/8	4	5	6	8
800	180	BA8V8 <input type="text"/>	V-40	10-5/8	4	5	6	8
1200	190	BA12V10 <input type="text"/>	V-40	12-1/4	4	5	6	8
1600	200	BA16V12 <input type="text"/>	V-40	14-1/4	4	5	6	8
2000	210	BA20V14 <input type="text"/>	V-40	16	4	5	6	8
3000	225	BA30V16 <input type="text"/>	V-40	19	4	5	6	8
4000	250	BA40V20 <input type="text"/>	V-40	23	4	5	6	8
Electric								
160	130	BE1S4 <input type="text"/>	UNIVAC-250	5	4	5	6	8
340	135	BE3S6 <input type="text"/>	UNIVAC-250	7-1/4	4	5	6	8
620	140	BE6S8 <input type="text"/>	UNIVAC-250	9-5/8	4	5	6	8
800	150	BE8V8 <input type="text"/>	UNIVAC-250	10-5/8	4	5	6	8
1200	230	BE12V10 <input type="text"/>	UNIVAC-250	12-1/4	4	5	6	8
1600	240	BE16V12 <input type="text"/>	UNIVAC-250	14-1/4	4	5	6	8
2000	260	BE20V14 <input type="text"/>	UNIVAC-250	16	4	5	6	8
3000	355	BE30V16 <input type="text"/>	UNIVAC-330	19	4	5	6	8
4000	375	BE40V20 <input type="text"/>	UNIVAC-330	23	4	5	6	8

Other sizes available, consult factory.



The Caldwell Group

Distributed by: Frank H. Gill Company
708-895-1334 Fax: 708-895-8871

UNIVAC®
Vacuum Lifters Section
Master Catalog MC-607
Rev. 03/08

Narrow Applications

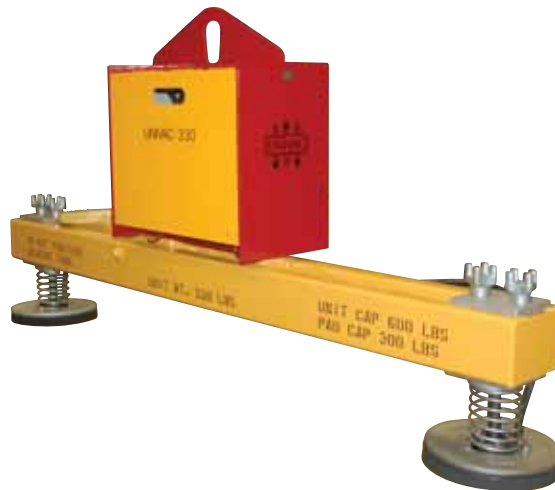
Model B - Twin Pad Load Beam Vacuum Lifter



Custom designed bail
for large crane hook.



Twin pad unit with sling for long heavy rigid material
and silicone vacuum pads for handling hot plate.



Shown with sponge pads for
handling semi-porous material.



The Caldwell Group

Distributed by: Frank H. Gill Company
708-895-1334 Fax: 708-895-8871

UNIVAC®
Vacuum Lifters Section
Master Catalog MC-607

Narrow Applications



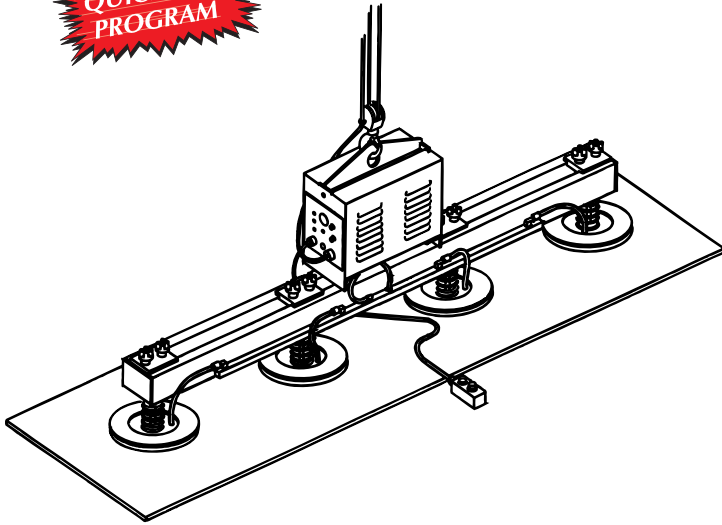
The Caldwell Group

Distributed by: Frank H. Gill Company
708-895-1334 Fax: 708-895-8871

UNIVAC®
Vacuum Lifters Section
Master Catalog MC-607
Rev. 03/08

Model C - Load Beam with 4 Inline Pads Vacuum Lifter

For lifting long narrow sized material. Width should not exceed 5 times the pad diameter (see specifications below for pad diameter).



Quick guideline for max. sheet size of steel or aluminum at different thicknesses.

Minimum Thickness (in.)	Maximum Width (in.)	Maximum Length (in.)
.0250	36	144
.0478	48	200
.1150	72	300
.1950	96	320

Max. width equal to twice overhang distance.

Max. length equal to four times overhang distance.

NOTE: All venturi units include a side handle. For other options, please see page C.8.

SPECIFICATIONS

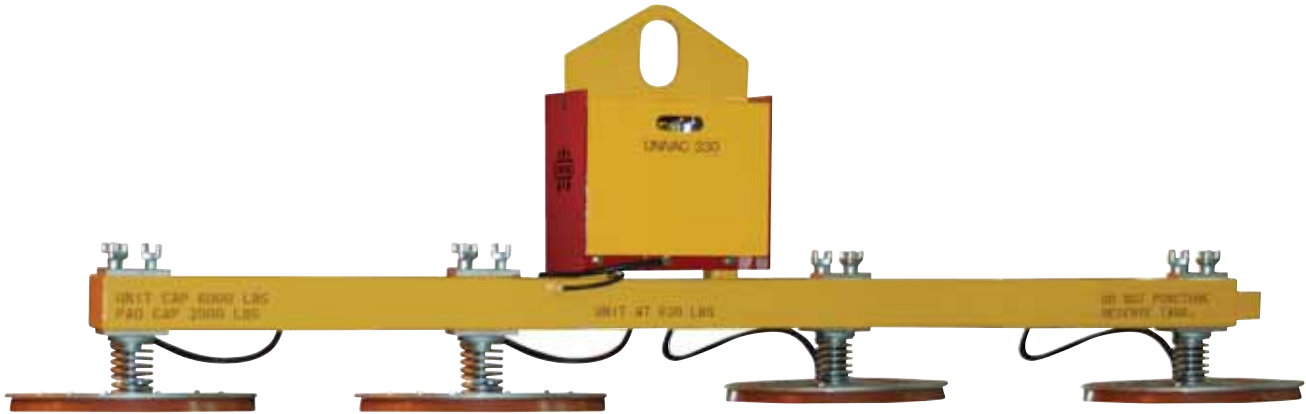
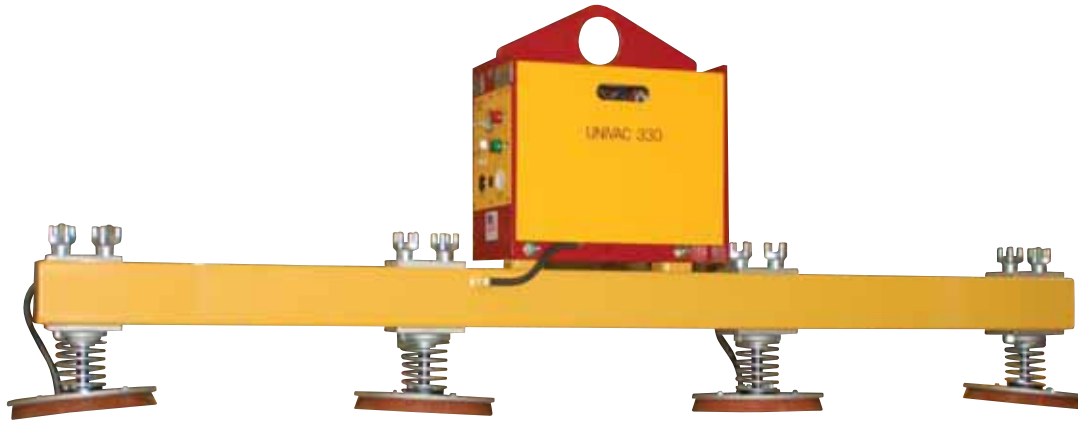
Add FEET to blank Model Number box to complete code.
Example: 5' load beam - CE12S8

Rated Capacity (lbs.)	Base Wt. @ 5' (lbs.)	Model Number	Power-Pac	Flared Diameter (in.)	Load Beam Length (ft.)							
					5	6	8	10	12	15	20	
Shop Air - Venturi												
680	225	CA6S6 <input type="checkbox"/>	V-40	7-1/4	5	6	8	10	12	15	20	
1240	230	CA12S8 <input type="checkbox"/>	V-40	9-5/8	5	6	8	10	12	15	20	
1600	250	CA16V8 <input type="checkbox"/>	V-40	10-5/8	5	6	8	10	12	15	20	
2400	265	CA24V10 <input type="checkbox"/>	V-40	12-1/4	5	6	8	10	12	15	20	
3200	280	CA32V12 <input type="checkbox"/>	V-40	14-1/4	5	6	8	10	12	15	20	
4000	315	CA40V14 <input type="checkbox"/>	V-40	16	5	6	8	10	12	15	20	
Electric												
680	203	CE6S6 <input type="checkbox"/>	UNIVAC-250	7-1/4	5	6	8	10	12	15	20	
1240	223	CE12S8 <input type="checkbox"/>	UNIVAC-250	9-5/8	5	6	8	10	12	15	20	
1600	280	CE16V8 <input type="checkbox"/>	UNIVAC-250	10-5/8	5	6	8	10	12	15	20	
2400	295	CE24V10 <input type="checkbox"/>	UNIVAC-250	12-1/4	5	6	8	10	12	15	20	
3200	410	CE32V12 <input type="checkbox"/>	UNIVAC-330	14-1/4	5	6	8	10	12	15	20	
4000	430	CE40V14 <input type="checkbox"/>	UNIVAC-330	16	5	6	8	10	12	15	20	
6000	465	CE60V16 <input type="checkbox"/>	UNIVAC-330	19	—	6	8	10	12	15	20	

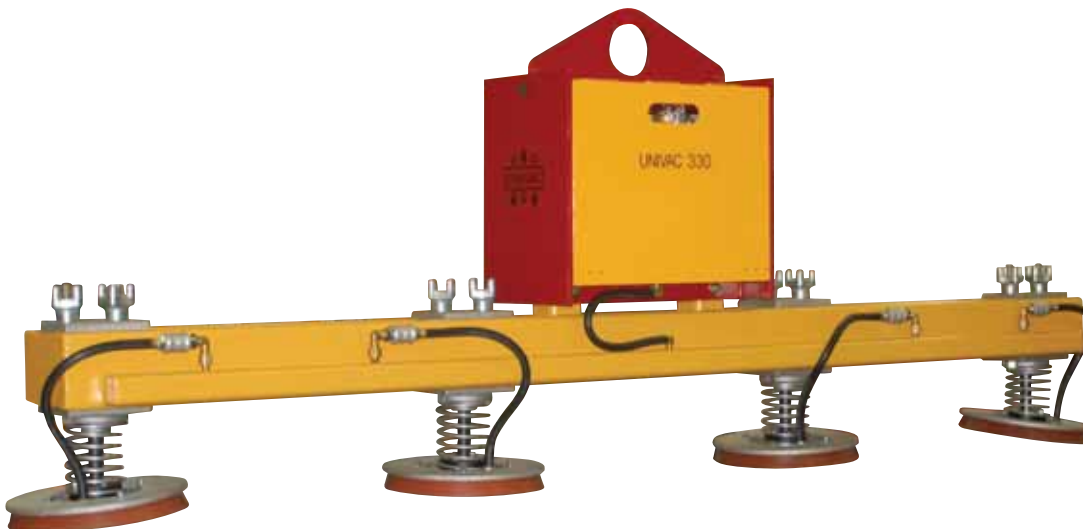
Other sizes available, consult factory.

Narrow Applications

Model C - Load Beam with 4 Inline Pads Vacuum Lifter



In line units to handle long narrow material.



Individual pads can be isolated from the system by utilizing manual slide valves.



The Caldwell Group

Distributed by: Frank H. Gill Company
708-895-1334 Fax: 708-895-8871

UNIVAC®
Vacuum Lifters Section
Master Catalog MC-607

Application Evaluation



The Caldwell Group

Distributed by: Frank H. Gill Company
708-895-1334 Fax: 708-895-8871

UNIVAC®
Vacuum Lifters Section
Master Catalog MC-607

Univac® Application Evaluation

Material To Be Handled:

- Steel Aluminum Glass Stone Slabs
 Plastic/Fiberglass Particle Board
 Other: _____ (Provide detailed sketch)

Material Temperature Is:

- Under 200° F
 200° to 600° F
 Over 600° F (Specify temperature)

Material Dimensions:

Minimum: Length _____ Width _____ Thickness _____ (required)
Maximum: Length _____ Width _____ Thickness _____
Maximum Capacity Required _____

Material Orientation During Lift:

- Horizontal Only Vertical Only
 Horizontal to Vertical

Headroom Available: _____

Power Available:

- Electric Specify: 115v/1ph/60hz
 230-460v/3ph/60hz
 230v dc
 Compressed Air
 No External Power - Battery operated required

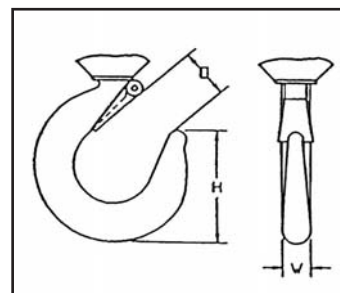
Hook Size or Hook Opening:

Required for crane hook

H _____

O _____

W _____



Options Required:

- Side Handle
 Parking Stand
 Audible Low Vacuum Warning
 Custom Pendant Control (Standard is 2-button)
 Wireless Pendant Control

Contact: _____

Company: _____

Address: _____

City, State, Zip: _____

Phone: _____

Fax: _____

Email: _____