

Specialty Lifters



The Caldwell Group

Distributed by: Frank H. Gill Company
708-895-1334 Fax: 708-895-8871

UNIVAC®
Vacuum Lifters Section
Master Catalog MC-607

Model T - 90° Tilt Upender/Downender Vacuum Lifter

Lifting and rotation to 90° for assembly area, storing in vertical racks, inspection and glass handling applications.



PRODUCT FEATURES:

- Positive hydraulic tilt control to 90°.
- Electric powered only.
- 4 to 1 Safety factor (2 to 1 in vertical position).
- Power-Pac encased within yoke assembly.
- Mold on pads are used for glass applications.

Note: Options p. C.8

SPECIFICATIONS

				To Complete Model Number Code								
				Add FEET to 1st Blank Model Number Box					Add FEET to 2nd blank Model Number Box			
Capacity (lbs.)†	Model Number	Power-Pac	Neoprene Pad Diameter (in.)	Load Beam Length (ft.)					Crossarm Beams Length (ft.)			
				6	8	10	12	15	3	4	5	
Non-glass material												
Twin crossarms with 4 pads												
680	TE6S6 <input type="checkbox"/> D <input type="checkbox"/>	UNIVAC-330	7-1/4	6	8	10	12	15	3	4	5	
1,600	TE16V8 <input type="checkbox"/> D <input type="checkbox"/>	UNIVAC-330	10-5/8	6	8	10	12	15	3	4	5	
2,400	TE24V10 <input type="checkbox"/> D <input type="checkbox"/>	UNIVAC-330	12-1/4	6	8	10	12	15	3	4	5	
3,200	TE32V12 <input type="checkbox"/> D <input type="checkbox"/>	UNIVAC-330	14-1/4	6	8	10	12	15	3	4	5	
5,600	TE56V16 <input type="checkbox"/> D <input type="checkbox"/>	UNIVAC-330	19	6	8	10	12	15	3	4	5	
8,000	TE80V20 <input type="checkbox"/> D <input type="checkbox"/>	UNIVAC-330	23	—	8	10	12	15	3	4	5	
Quad crossarms with 8 pads												
640	TE6S4 <input type="checkbox"/> Q <input type="checkbox"/>	UNIVAC-330	5	6	8	10	12	15	3	4	5	
1,360	TE13S6 <input type="checkbox"/> Q <input type="checkbox"/>	UNIVAC-330	7-1/4	6	8	10	12	15	3	4	5	
3,200	TE32V8 <input type="checkbox"/> Q <input type="checkbox"/>	UNIVAC-330	10-5/8	6	8	10	12	15	3	4	5	
4,800	TE48V10 <input type="checkbox"/> Q <input type="checkbox"/>	UNIVAC-330	12-1/4	6	8	10	12	15	3	4	5	
6,400	TE64V12 <input type="checkbox"/> Q <input type="checkbox"/>	UNIVAC-330	14-1/4	6	8	10	12	15	3	4	5	
11,200	TE112V16 <input type="checkbox"/> Q <input type="checkbox"/>	*UNIVAC-1500	19	6	8	10	12	15	3	4	5	
16,000	TE160V20 <input type="checkbox"/> Q <input type="checkbox"/>	*UNIVAC-1500	23	—	8	10	12	15	3	4	5	
Glass only												
Twin crossarms with 6 pads												
Mold on Pad												
540	TE5M5 <input type="checkbox"/> D <input type="checkbox"/>	UNIVAC-330	6-7/8	6	8	10	12	15	3	4	5	
1,500	TE15M8 <input type="checkbox"/> D <input type="checkbox"/>	UNIVAC-330	9-1/4	6	8	10	12	15	3	4	5	
Quad crossarms with 12 pads												
1,080	TE10M5 <input type="checkbox"/> Q <input type="checkbox"/>	UNIVAC-330	6-7/8	6	8	10	12	15	3	4	5	
3,000	TE30M8 <input type="checkbox"/> Q <input type="checkbox"/>	UNIVAC-330	9-1/4	6	8	10	12	15	3	4	5	

† Rated capacity is horizontal position only. Vertical capacity is 50% of horizontal capacity.

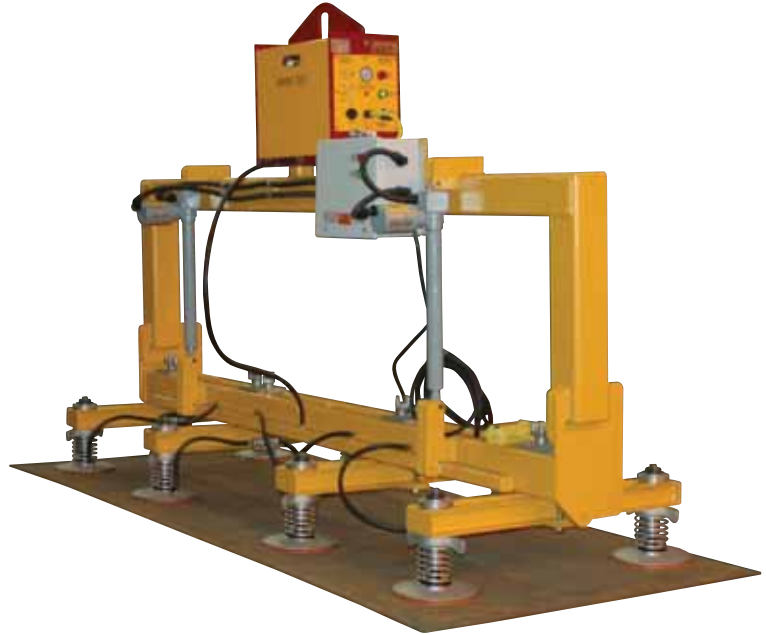
Other sizes available, consult factory.

*NOTE 230/460V

Specialty Lifters

Model T - 90° Tilt Upender/Downender Vacuum Lifter

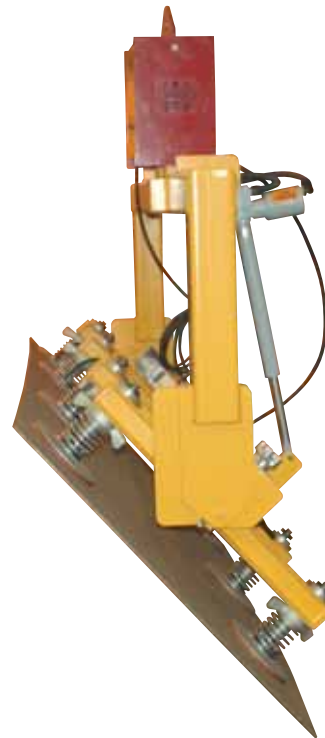
90° upenders / downenders for any material that needs to be tilted up or down for inspection or placing into shipping containers



Steel plate shown horizontal.



Electric upenders can allow the operator to position the plate anywhere from 0 to 90 degrees.



The Caldwell Group

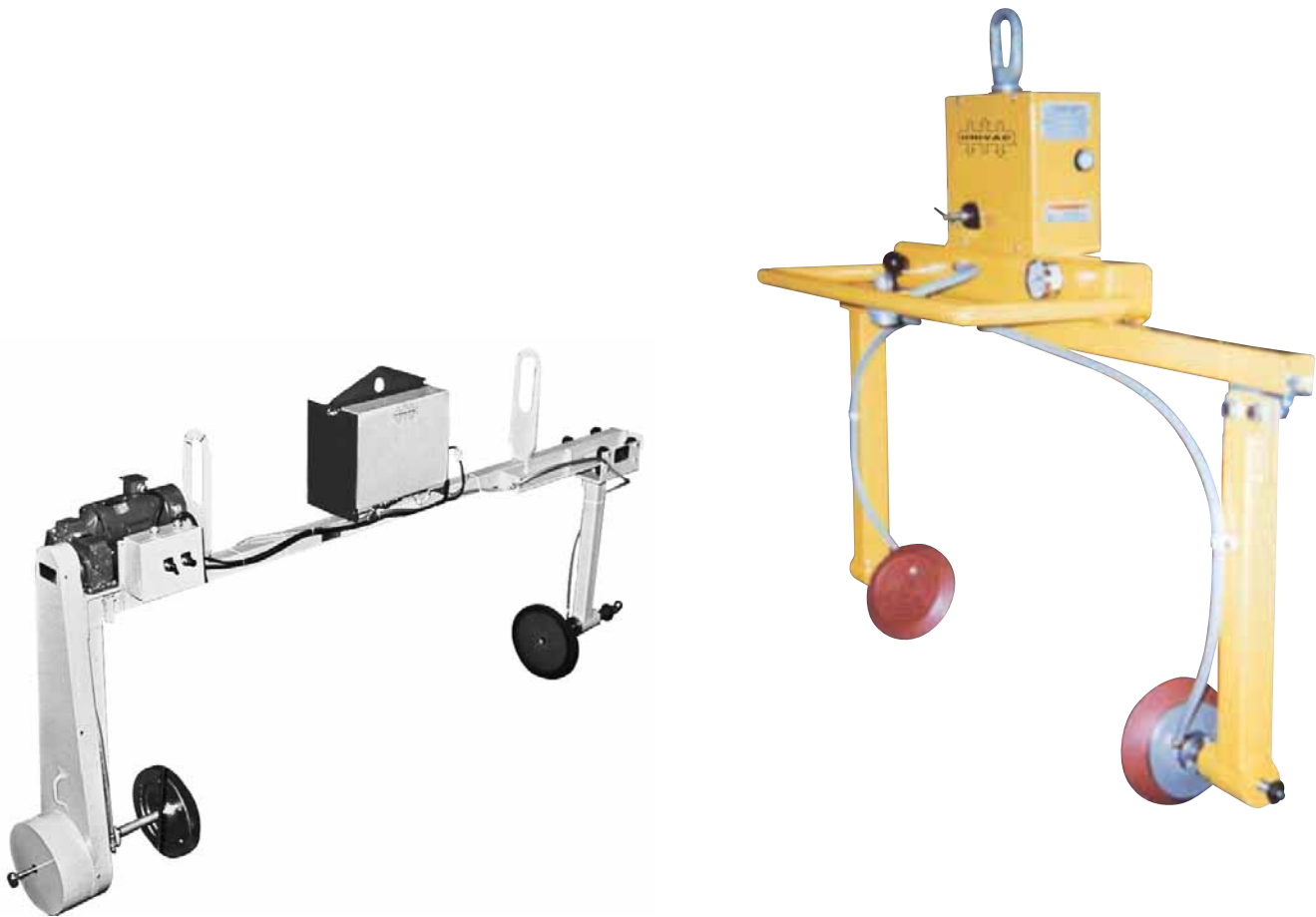
Distributed by: Frank H. Gill Company
708-895-1334 Fax: 708-895-8871

UNIVAC®
Vacuum Lifters Section
Master Catalog MC-607

Specialty Lifters

Side Grab Manipulator Vacuum Lifter

Designed to manipulate 180° for production, inspection and assembly applications.



PRODUCT FEATURES:

- Standard UNIVAC® electric vacuum Power-Pac.
- Motorized product rotation.
- Adjustable width for product.
- Simple pushbutton controls.

Custom designed per application



The Caldwell Group

Distributed by: Frank H. Gill Company
708-895-1334 Fax: 708-895-8871

UNIVAC®
Vacuum Lifters Section
Master Catalog MC-607

Specialty Lifters

Variable Size Sheet Vacuum Lifter

Designed to handle both long and short sheets of steel plate. Generally occurs in a shearing operation. The load beam has pivoting arms to allow short plates to be fed to the shear blade, and can then be converted to longer sheet operation.



PRODUCT FEATURES:

- Standard UNIVAC® electric vacuum Power-Pac.
- Includes features as listed on page C.4.
- Standard options see page C.8.
(consult factory for availability)

Custom designed per application



The Caldwell Group •

Distributed by: Frank H. Gill Company
708-895-1334 Fax: 708-895-8871

UNIVAC®
Vacuum Lifters Section
Master Catalog MC-607

Application Evaluation



The Caldwell Group

Distributed by: Frank H. Gill Company
708-895-1334 Fax: 708-895-8871

UNIVAC®
Vacuum Lifters Section
Master Catalog MC-607

Univac® Application Evaluation

Material To Be Handled:

- Steel Aluminum Glass Stone Slabs
 Plastic/Fiberglass Particle Board
 Other: _____ (Provide detailed sketch)

Material Temperature Is:

- Under 200° F
 200° to 600° F
 Over 600° F (Specify temperature)

Material Dimensions:

Minimum: Length _____ Width _____ Thickness _____ (required)
Maximum: Length _____ Width _____ Thickness _____
Maximum Capacity Required _____

Material Orientation During Lift:

- Horizontal Only Vertical Only
 Horizontal to Vertical

Headroom Available: _____

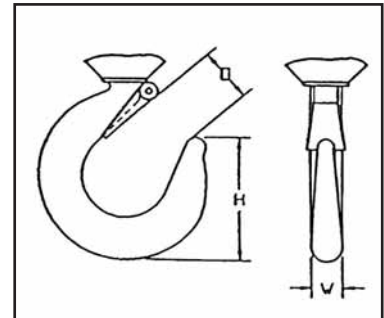
Power Available:

- Electric Specify: 115v/1ph/60hz
 230-460v/3ph/60hz
 230v dc
 Compressed Air
 No External Power - Battery operated required

Hook Size or Hook Opening:

Required for crane hook

H _____
O _____
W _____



Options Required:

- Side Handle
 Parking Stand
 Audible Low Vacuum Warning
 Custom Pendant Control (Standard is 2-button)
 Wireless Pendant Control

For a price quote on your specific application, please complete the above application guide and fax this along with a photo, sketch, or drawing of the product being rotated, to 708-895-8871.