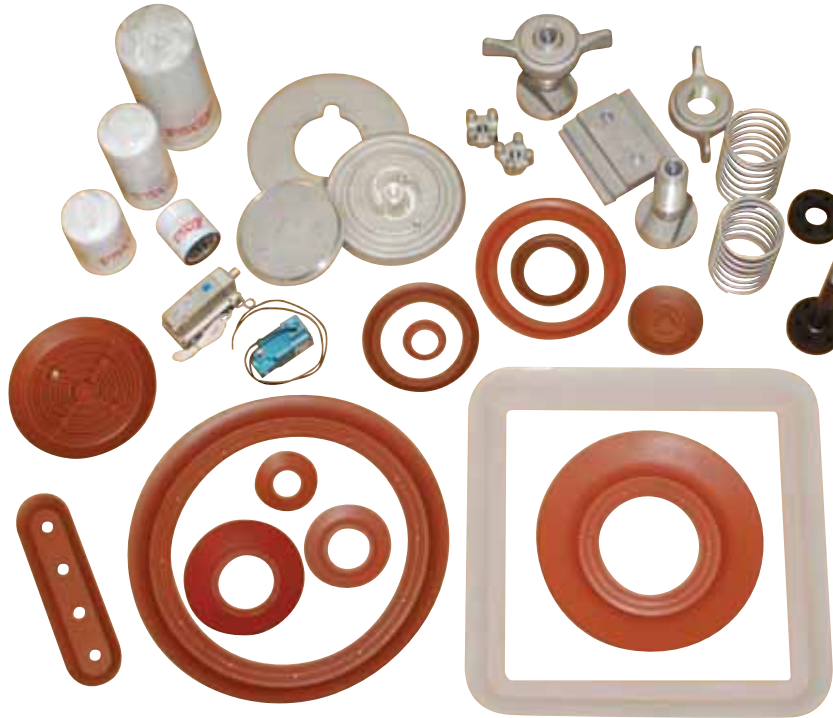


# Vacuum Lifter Parts

## Replacement Parts & Repairs

Many commonly needed parts are in stock, ready for immediate delivery. Other special components are produced on order. UNIVAC® gives priority to replacement parts to insure minimum downtime.



## Repairs

Vacuum lifting products, of many brands, can be sent to UNIVAC® for repair. Units are completely disassembled, inspected, worn parts replaced, reassembled and tested. You get a "like new" vacuum lifter at considerable savings over the cost of a new unit.



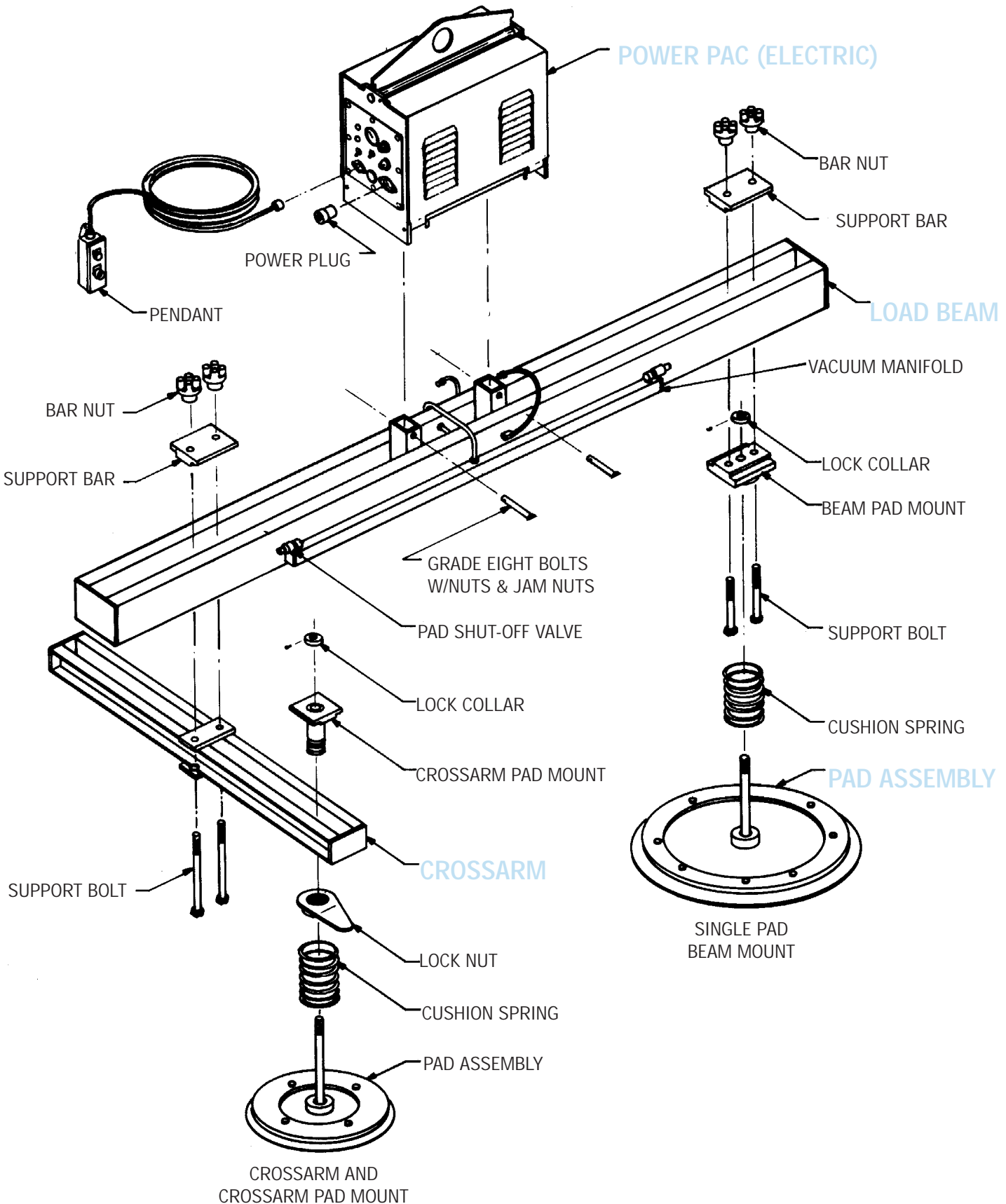
**The Caldwell Group**

Distributed by: Frank H. Gill Company  
708-895-1334 Fax: 708-895-8871

UNIVAC®  
Vacuum Lifters Section  
Master Catalog MC-607

# Vacuum Lifter Parts

## UNIVAC® Vacuum Lifter Parts Schematic



The Caldwell Group

Distributed by: Frank H. Gill Company  
708-895-1334 Fax: 708-895-8871

UNIVAC®  
Vacuum Lifters Section  
Master Catalog MC-607